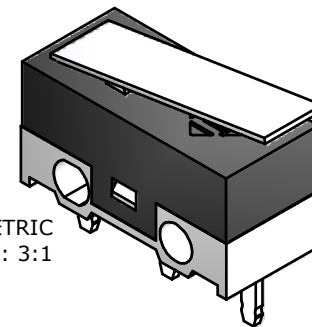
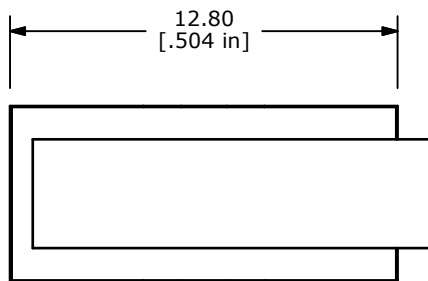
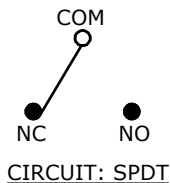


P.C. MOUNTING



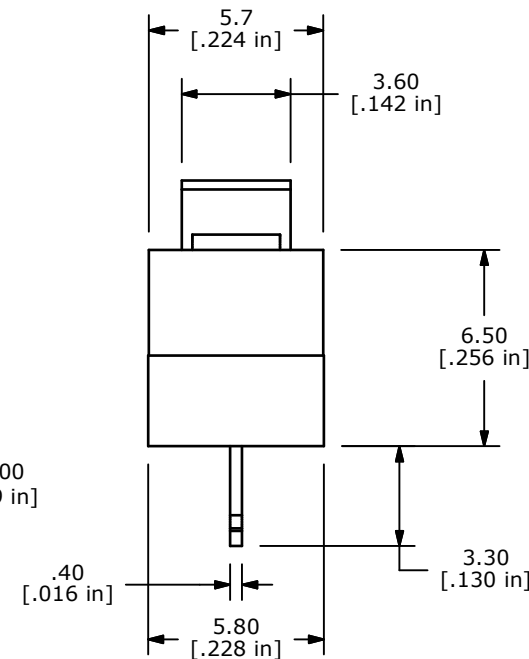
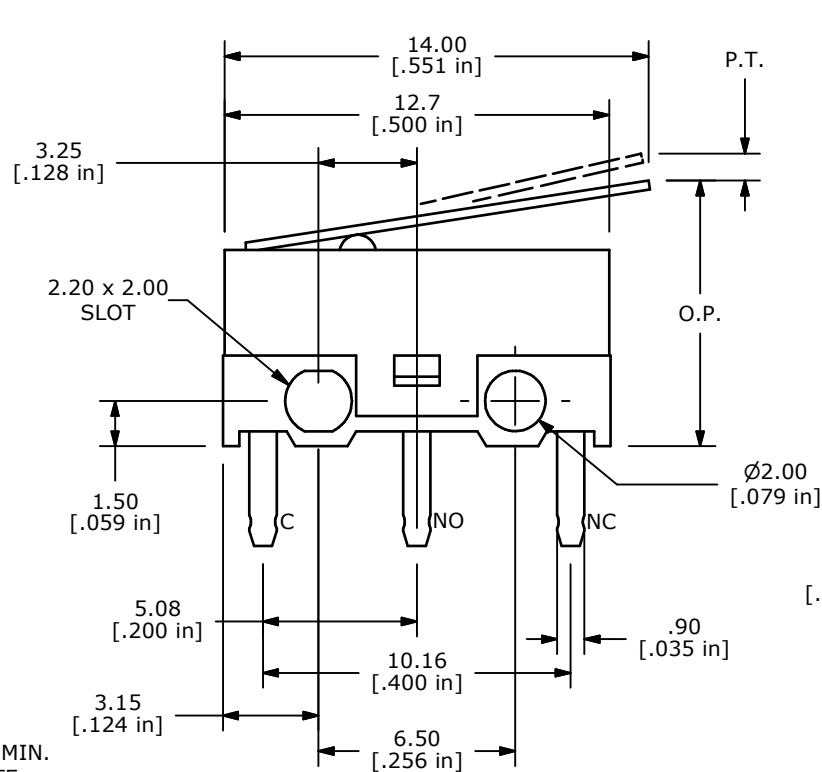
ISOMETRIC
SCALE: 3:1



CIRCUIT: SPDT

O.P. (MM)	P.T. (MM)
8.80 ± 0.80	1.60

O.P. = OPERATING POINT
P.T. = PRE-TRAVEL



NOTES:

1. ALL DIMENSIONS IN MM [INCH]
2. GENERAL TOLERANCE: X.X=±0.4
X.XX=±0.25
- ▲3. RATING: 3A @ 125 VAC
1.5A @ 250VAC UL
- ▲4. OPERATING FORCE: 15±5 GRAMS
5. OPERATING TEMP: -25°C TO 75°C
6. ELECTRICAL LIFE: 10,000 CYCLES MIN.
7. INSULATION RESISTANCE: 100 MEGA-OHMS MIN.
8. DIELECTRIC STRENGTH: 1,000VAC - 1 MINUTE
9. ▲ DENOTES CRITICAL PARAMETER.
10. 2002/95/EC (ROHS) COMPLIANT
11. PACKAGED IN TRAYS, 120 PIECES PER TRAY.



REV	PCR NO	DESCRIPTION	DATE	BY
C	18157	REMOVE CE APPROVED FROM NOTES	6/24/08	BLR
B	18089	ADD NOTE 11	5/9/08	RC

TITLE SS0750101F015P1A				
SCALE	DATE	DR	DWG	REV
4:1	6/24/2008	BLR	Q971011	C

THE INFORMATION CONTAINED IN THIS DOCUMENT IS PROPRIETARY TO E-SWITCH AND IS NOT TO BE COPIED OR TRANSFERRED